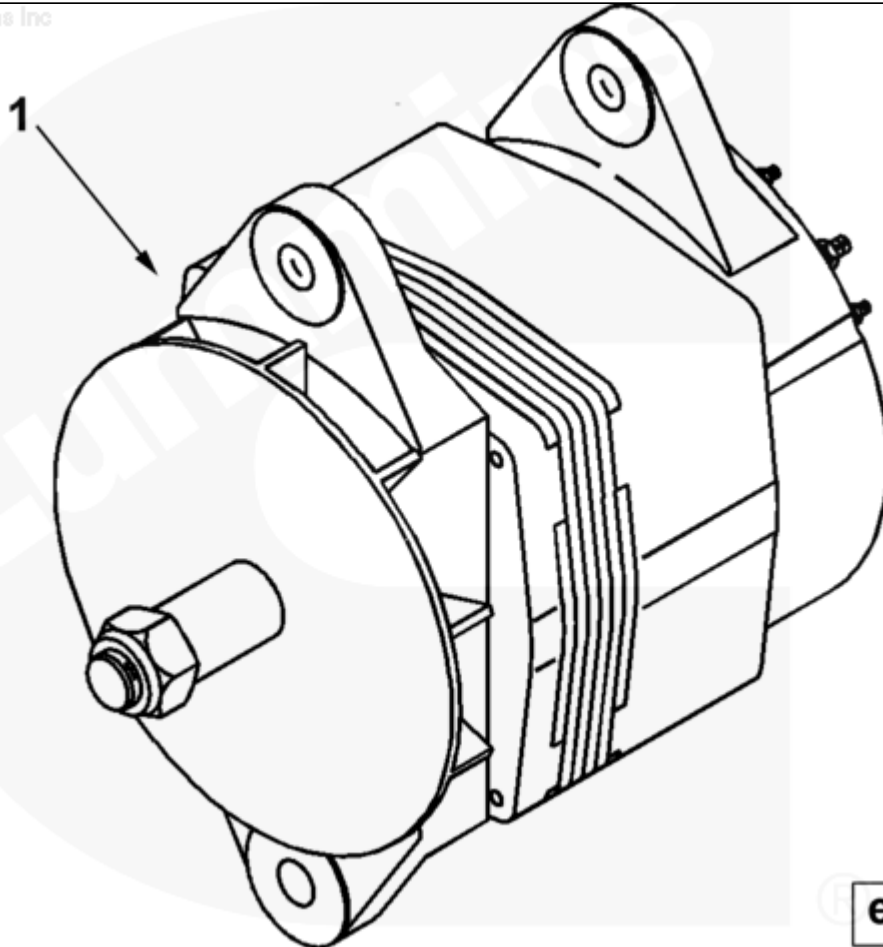




Parts Catalog - Option Detail

Electronic Parts Catalog - Option Detail				
Option	Group	Graphic	Film Card	Date
EE2054-04	13.02	ee200gp	II	27-APR-04
Engines	ISM CM570, ISM CM570/870, ISM CM875, ISM CM876, ISM CM876 E, ISM11 CM876 M103, ISM11 CM876 SN, M11 CELECT, M11 CELECT PLUS, M11 MECHANICAL, QSM11 CM570, QSM11 CM876			

©Cummins Inc



SMALL | MEDIUM | LARGE

Cart	Ref No	Part Number	Part Description	Required	Remarks
View My Cart					
		EE2054-04	Alternator		
					Alternator
					Quantity: One
					Manufacturer/Model/Type:

					Delco Remy 22 SI350/355
					Volts: 24
					Amps: 70
					Alternator Grounding
					Provision: Frame Ground Only
					Sealing Provision: No
					Voltage Regulator: Built In
					Ground Wire Supplier:
					Customer
					Alternator Length: 162mm
					(6.38 in.)
					Charging System: 3 Wire
					Battery Terminal: M6
					R or D Terminal: M4
					Cummins Branded: Yes
					Alternator Mounting Style:
					4 Inch Double Lug
<input type="checkbox"/>	1	4003446	Alternator	1	